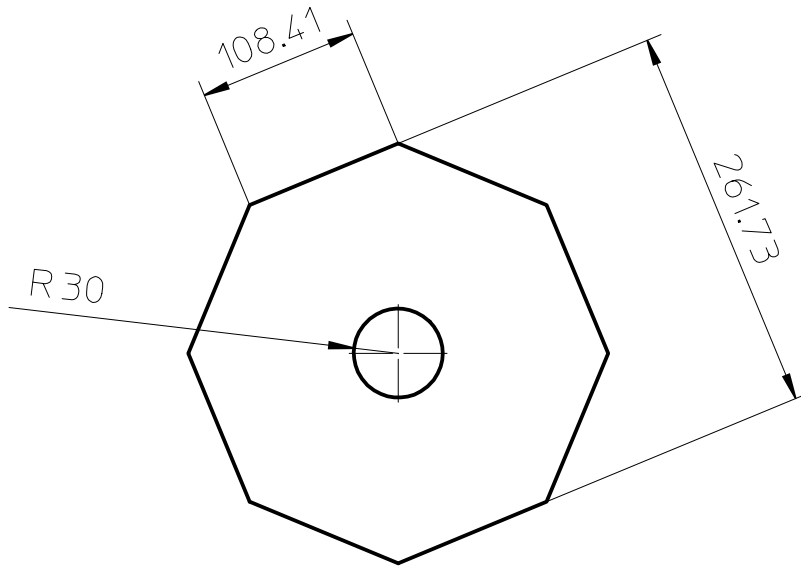
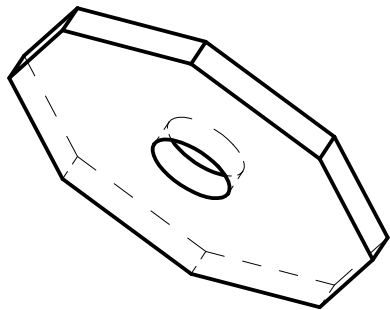




Right1



Front1



Is01

USE RANGE				TOLERANCE		SURFACE	ARCHIVE		SCALE 1:5	
							MATERIAL			
				DATE		NAME	DESCRIPTION			
				DRAWN						
				APPR.						
				RLS.						
							DRAWING-NUMBER			
							Top			
							SHEET			
							1			
							OF 1			
INDEX	DESCRIPTION			DATE	NAME	ORIGINAL		I.EXCH.F.		I.EXCH.TH.